

THIS COPY IS PROVIDED ON A RESTRICTED BASIS AND IS NOT TO BE USED IN ANY WAY DETRIMENTAL TO THE INTERESTS OF PANDUIT CORP.

PANDUIT PART NUMBER	STUD SIZE	DIMENSIONS in.				
		A ±.03	W ±.01	C ±.02	M ±.03	H ±.01
PV12-6HDRB-2K	#6	1.03 (26.06)	.31 (7.92)	.36 (9.14)	.87 (22.00)	.15 (3.81)
PV12-8HDRB-2K	#8	1.03 (26.06)	.31 (7.92)	.36 (9.14)	.87 (22.00)	.17 (4.32)
PV12-10HDRB-2K	#10	1.06 (26.82)	.37 (9.45)	.36 (9.14)	.87 (22.00)	.20 (5.08)
PV12-14HDRB-2K	1/4"	1.23 (31.24)	.52 (13.21)	.43 (10.92)	.94 (23.88)	.27 (6.86)
PV12-56HDRB-2K	5/16"	1.23 (31.24)	.52 (13.21)	.43 (10.92)	.94 (23.88)	.33 (8.38)
PV12-38HDRB-2K	3/8"	1.30 (33.02)	.58 (14.73)	.48 (12.19)	1.01 (25.66)	.39 (9.91)

NOTES:

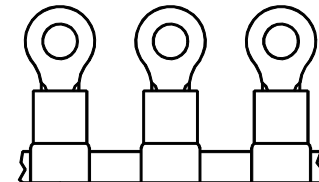
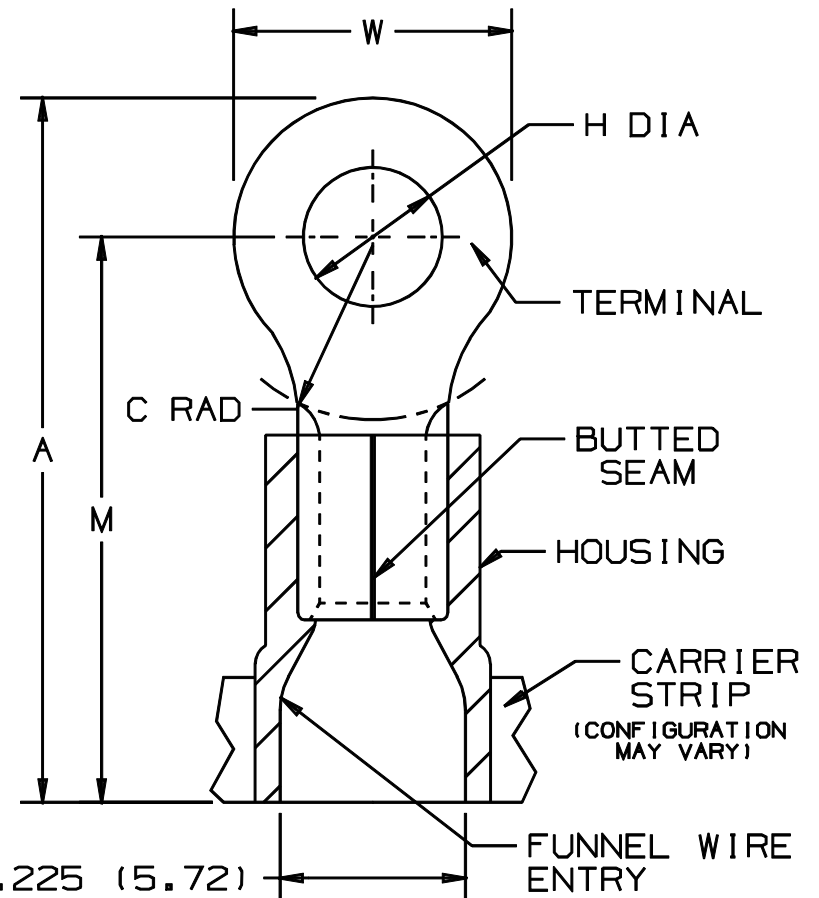
- UL LISTED AND CSA CERTIFIED FOR:
  - 600 V MAX. VOLTAGE RATING
  - 221° F (105° C) MAX. TEMP. RATING
  - #16-12 AWG (2.5-4.0 mm) SOLID OR STRANDED COPPER WIRE
- MATERIAL:
  - STAMPING - .05" (1.27mm) THK COPPER, TIN PLATED
  - HOUSING - YELLOW VINYL
- PACKAGE QUANTITY: 2K = 2000 PCS  
CONTINUOUS MOLDED CARRIER STRIP
- DIMENSIONS IN BRACKETS ARE IN MILLIMETERS.
- INSTALLATION TOOLS:
  - PRESSES - CP-860, CP-861, CP-851
  - APPLICATOR - CA-800
  - DIE INSERTS - CD-800-3



LISTED  
587H  
E52164



CERTIFIED  
LR31212



A41444\_02

02	1/01	RM		FILESPEC WAS A41444A-01						<p>PANDUIT CORP. TINLEY PARK, ILLINOIS</p> <p>#16-12 BARREL CONTINUOUSLY MOLDED VINYL INSULATED HEAVY DUTY RINGS</p>		
01	11/95	ED		REVISIONS TO NOTES AND TABLE	03773							
00	7-90	FS		RELEASED		JH		DBH				
REV	DATE	BY	CHK	DESCRIPTION	ECN#	QA	CUST	PM	DRAWN BY FES	CHK'D	SCALE NONE	DRAWING NO. A41444